

General Luminaire Installation Instructions

S3 and S5 Series Products

WARNING

To Reduce Risk Of Death, Injury Or Property Damage From Fire, Electric Shock And Other Hazards:

- Service of equipment must be performed by qualified personnel.
- Installation and maintenance must be performed by qualified personnel familiar with the construction and operation of this product and any hazards involved. All applicable local and national codes and ordinances must be followed.
- Read this document before installing, servicing or maintaining this equipment. These instructions do not cover all installation, service and maintenance situations. If your situation is not covered, or, if you do not understand these instructions or need additional information, contact Lumato Lighting or your local Lumato Lighting distributor.

WARNING

Before Installing, Servicing Or Maintaining This Equipment, Follow These General Precautions To Reduce The Risk Of Electrocutation:

- Make sure the equipment is properly grounded.
- Always de-energize the circuit and/or equipment before connecting to, disconnecting from or servicing the equipment.

To Prevent Luminaire Row From Over-Current:

- By adding the input current of each luminaire section marked on the luminaire, the total current per power feed must not exceed the maximum line wire amperage rating in the luminaire and the power feed cord/wire amperage rating whichever is least.

CAUTION

It Is The Installers Responsibility To Ensure That Wall, Ceiling Or Junction Box Is Structurally Capable Of Supporting The Weight Of Luminaire/Luminaire Row.



SAVE THESE INSTALLATION INSTRUCTIONS

General Luminaire Installation Instructions

Individual and Row Mounting-Direct

INDIVIDUAL LUMINAIRE INSTALLATION

Cable Mounting “On Grid” (T1, T9 & SC):

-Linear suspended luminaires intended for “On Grid” or “Tee Bar Ceiling” cable mounting are to be installed with (T1-1” T-Grid), (T9 9/16” T-Grid) or (SC Screw Slot Grid) Cable/Canopy Kits. Cable Kit assembly’s are shipped separately and are provided with installation instructions. (SEE INSTALLATION INSTRUCTION SHEET 7500002)

Cable Mounting “Off Grid” (HC):

-Linear Suspended Luminaires intended for “Off Grid” OR “Hard Ceiling (HC)” cable mounting are to be installed with (HC) Cable/Canopy Kits. Cable kit assembly’s are shipped separately and are provided with installation instructions. (SEE INSTALLATION INSTRUCTION SHEET 7500003)

CONTINUOUS ROW LUMINAIRE INSTALLATION

CAUTION:

-Attempt to assemble fixture rows on ground and lifting row into position may create stress at connection points and may result in damage and/or mechanical failure.

Step One:

-On direct only fixtures remove lens and LED/Reflector tray from fixtures and store in order of run placement storing safely aside. Install first fixture in row (STARTER/RH EOR) following instructions provided with mounting hardware, shop drawings or order processing specification sheet. (FIG. 1)

Step Two:

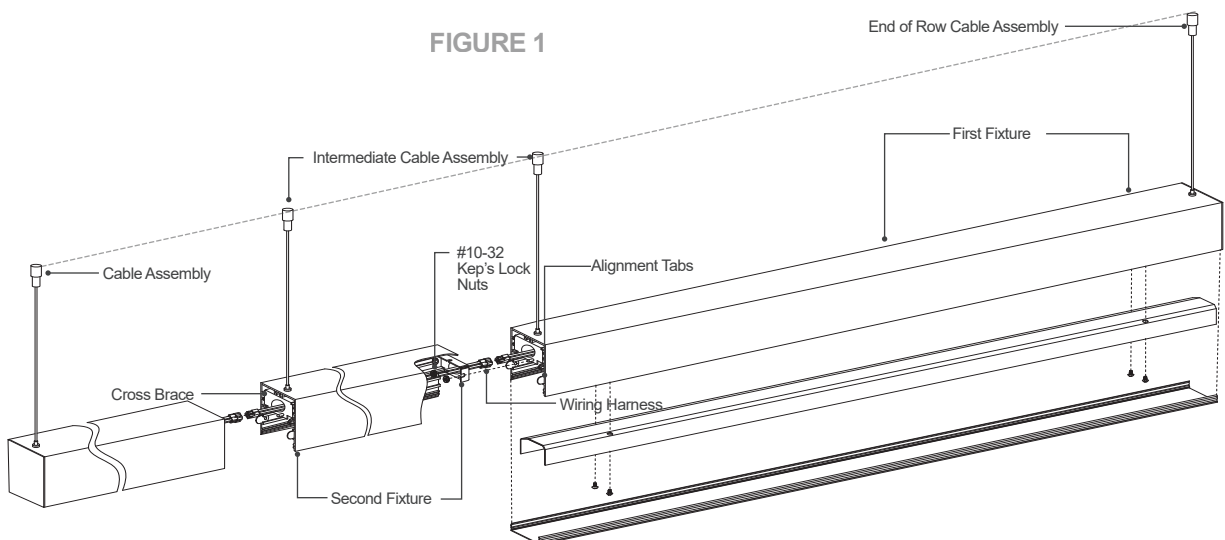
-Position second fixture in row (JOINER/INTERMEDIATE-ENDER) such that it aligns with joint end of first fixture and hang with joiner/intermediate cable assembly as illustrated. Plug wire harness(s) together and push excess wire into luminaire wiring chamber. (FIG. 1)

Step Three:

-Push luminaires tightly together while making sure the the alignment tabs slide into the interior tracks of each luminaire and span the luminaire joint. Secure joint with hardware provided. ISecure to adjoining luminaire with hardware provided.

Step Four:

-Continue to install and assemble row following steps 2 and 3. Reinstall lens and LED/Reflector trays and check for proper function.



General Luminaire Installation Instructions

Individual and Row Mounting-Indirect/Direct

INDIVIDUAL LUMINAIRE INSTALLATION

Cable Mounting “On Grid” (T1, T9 & SC):

-Linear suspended luminaires intended for “On Grid” or “Tee Bar Ceiling” cable mounting are to be installed with (T1-1” T-Grid), (T9 9/16” T-Grid) or (SC Screw Slot Grid) Cable/Canopy Kits. Cable Kit assembly’s are shipped separately and are provided with installation instructions. (SEE INSTALLATION INSTRUCTION SHEET 7500002)

Cable Mounting “Off Grid” (HC):

-Linear Suspended Luminaires intended for “Off Grid” OR “Hard Ceiling (HC)” cable mounting are to be installed with (HC) Cable/Canopy Kits. Cable kit assembly’s are shipped separately and are provided with installation instructions. (SEE INSTALLATION INSTRUCTION SHEET 7500003)

CONTINUOUS ROW LUMINAIRE INSTALLATION

CAUTION:

-Attempt to assemble fixture rows on ground and lifting row into position may create stress at connection points and may result in damage and/or mechanical failure.

Step One:

-On Indirect/Direct fixtures remove upper LED/Reflector tray and store in order of run placement safely aside. If more room is needed to access cross brace studs and nuts, remove hanger bracket from second fixture and replace once complete. Install first fixture in row (STARTER/RH EOR) following instructions provided with mounting hardware, shop drawings or order processing specification sheet. (FIG. 1 & FIG. 2)

Step Two:

-Position second fixture in row (JOINER/INTERMEDIATE-ENDER) such that it aligns with joint end of first fixture and hang with joiner/intermediate cable assembly as illustrated. Plug wire harness(s) together and push excess wire into luminaire wiring chamber. (FIG. 2)

Step Three:

-Push luminaires tightly together while making sure the the alignment tabs slide into the interior tracks of each luminaire and span the luminaire joint. Secure joint with hardware provided. Install hanger/cover bracket as illustrated and secure to adjoining luminaire with hardware provided.

Step Four:

-Continue to install and assemble row following steps 2 and 3.

